

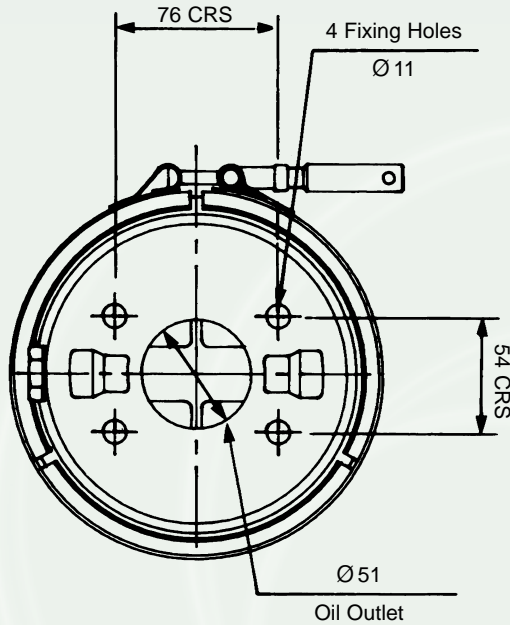
# FM060 CENTRIFUGE

Authorised Distributor

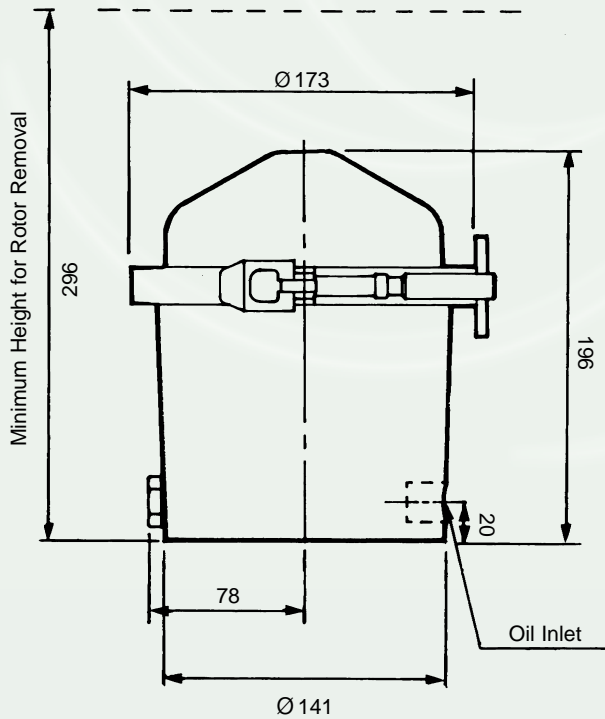


t: +44 1264 860 186  
e: spares@simplexturbulo.com

Simplex-Turbulo is part of the SLX GROUP



All measurements are in mm unless otherwise stated



## FM060

Type	Part No.	Oil Inlet Thread	C.O.V. Rating, bar
060-31	01208A	3/8" B.S.P.	1.3
060-32	01209A	3/4" UNF	1.3
060-33	01210A	M16 x 1.5	1.3
060-34	01211A	3/8" B.S.P.	-



- Suitable for system capacity from 15 to 90 litres
- Rotor dirt capacity 0.6 litres
- Rotor oil capacity 0.75 litres
- Minimum oil feed pipe size 9.5mm internal diameter
- Minimum oil drain pipe size 38mm internal diameter
- Available with or without Cut Off Valve (C.O.V.)
- This model is available with a cleanable rotor, and is supplied with paper insert 3302A to improve serviceability
- Other features can be included to suit specific customer requirements
- The net weight of the FM060 is 3kg

### PERFORMANCE CURVES Typical Rotor Performance for SAE 30 OIL @ 75°C

