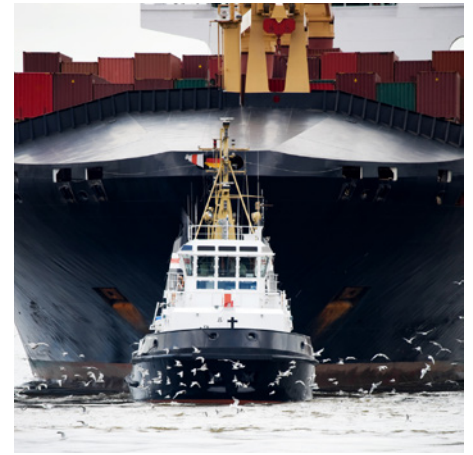


SFBO Series

Single Fuel Filters
Max. 90 l/min. 10 bar



Durable fuel filter to fulfil IMO SOLAS requirements.

The new SFBO single filter brings Parker FBO to engine room environment. SFBO housing comprises of a cast iron head and a steel bowl which means it can be used in Marine applications where aluminium is banned.

SFBO comes with two bowl lengths allowing diesel flow rates up to 90 l/min. Depending on the element inside the unit can be used as a prefilter, a water separator/particle filter or a water absorptive filter. Easy service, no special tools are required.



Contact Information:

Parker Hannifin
Hydraulic Filter Division Europe

**European Product
Information Centre**
Freephone: 00800 27 27 5374
(from AT, BE, CH, CZ, DE, EE, ES,
FI, FR, IE, IT, PT, SE, SK, UK)
filtrationinfo@parker.com

www.parker.com/hfde

Applications:

- Primary fuel/water separator on fuel pump suction line
- Secondary fuel/water separator on fuel pump pressure line
- Fuel condition modules
- Marine fuel docks
- Diesel fuel dispensing systems
- Fuel transfer lines



ENGINEERING YOUR SUCCESS.

Specification

Single filter:

In-line assembly with connections on both right-hand side and left-hand side (plugged).

Manual vent and drain valves.

Maximum operating pressure:

10 bar

Connections:

Threaded ports G1, NPT 1" and M33 x 2.

Connections on both sides of the housing. Left-hand side (LHS) connection plugged with steel plugs.

Seal material:

Fluoroelastomer

Operating temperature:

0°C...+60°C, for other temperatures consult Parker Filtration.

Housing material:

Head material cast iron, bowl material steel.

Weight:

18,5 kg / 20 kg

Nominal flow rate (3 cSt):

SFBO-10: 70 l/min (4.2 m³/h)

SFBO-14: 90 l/min (5.4 m³/h)

Bypass valve:

No bypass

Indicators:

No indicator is standard. As option there is a vacuum gauge with yellow starting from -24 kPa (-0.24 bar) and red from -34 kPa (-0,34 bar) and differential pressure indicator with red from -34 kPa (-0,34 bar). Options on water level in the bowl detection are a sight glass or an electric water level probe.

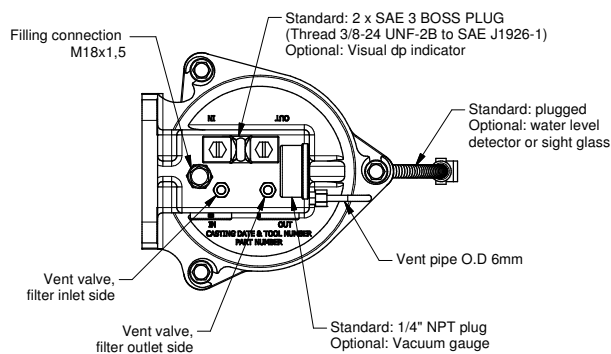
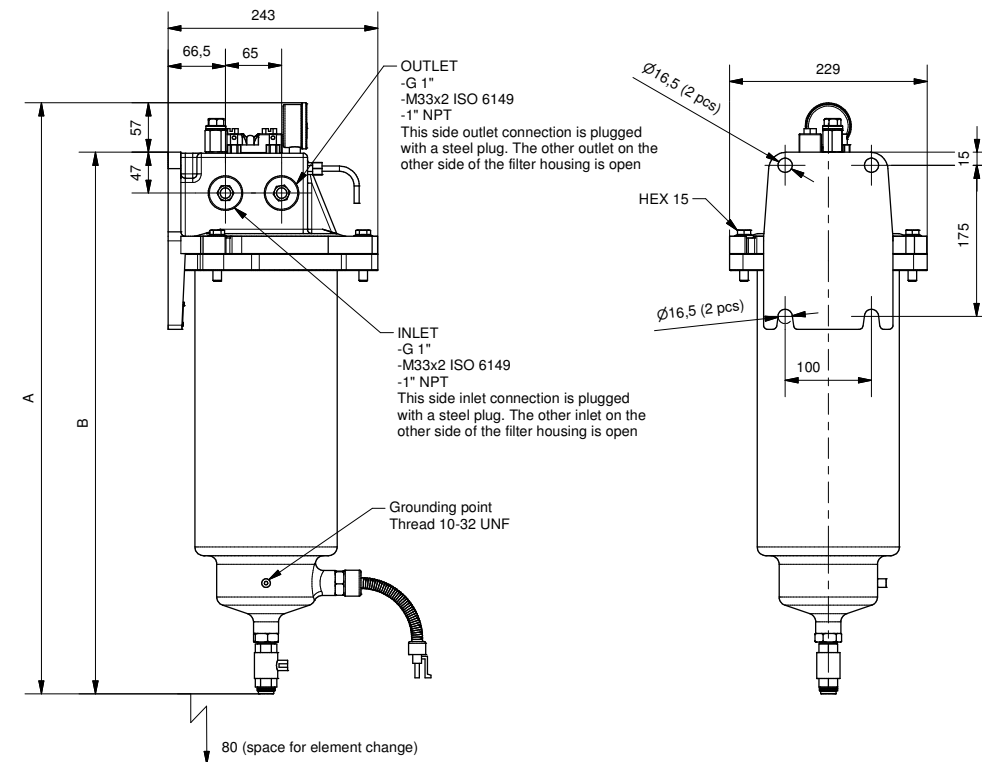
Filter elements:

Filter separator elements with micron ratings 1 µm, 5 µm, 10 µm and 25 µm remove water and contaminants from fuel.

Other types of FBO elements are available, see replacement element table on the following page.

Fluid compatibility:

Suitable for use with diesel fuel, jet fuel, gasoline, kerosene, JP4, JP5 and JP8.



SFBO			
Bowl	A	B	Weight
10"	582	525	18,5
14"	684	627	20

Product Description for SFBO

Complete Filter:

Table 1	Table 2	Table 3	Table 4	Table 5	Table 6	Table 7	Table 8
---------	---------	---------	---------	---------	---------	---------	---------

Table 1

FILTER TYPE	
Model	CODE
Single filter	SFBO

Table 2

FILTER SIZE	
Element length	CODE
Length 10"	10
Length 14"	14

Table 3

MICRON RATING	
Filter separator element	CODE
Rating 1 µm	01FS
Rating 5 µm	05FS
Rating 10 µm	10FS
Rating 25 µm	25FS

Table 4

SEAL TYPE	
Seal material	CODE
Fluoroelastomer	V

Table 5

INDICATORS	
Options	CODE
Indicator port plugged	P
Vacuum gauge in outlet side *)	A
Differential pressure indicator *)	D

*) If both options are selected, please add the codes in order listed above.

Table 6

INDICATOR SETTING	
Options	CODE
No indicator	X
1,0 bar (15 psi)	F

Table 7

FILTER CONNECTIONS	
Port size	CODE
Threaded ports G1 on RHS	G16
Threaded ports NPT 1" on RHS	N16
Threaded ports M33 x 2 on RHS	M33

Connections on LHS plugged with a steel plugs.

Table 8

OPTIONS	
Options	CODE
Standard	1
Sight level glass in bowl	SG
Water level probe in bowl	WP

If several options are selected, please add the codes in order listed above.

Max flow rate (l/m) with diesel fuel 3 cSt	1 micron	5 micron	10 micron	25 micron
SFBO-10	01FS	05FS	10FS	25SF
Vacuum side	15	25	45	45
Pressure side	20	35	70	70
SFBO-14	01FS	05FS	10FS	25FS
Vacuum side	20	30	60	60
Pressure side	30	45	90	90

All FBO elements fit in SFBO filter. Check the suitable replacement element from this table.

Element	Micron	Filter Separator	Pre-Filter	Water Absorber
FBO-10	1	FBO 60327	FBO 60330	FBO 60333
	5	FBO 60328	FBO 60331	FBO 60334
	10	FBO 60353	FBO 60354	FBO 60355
	25	FBO 60329	FBO 60332	FBO 60335
FBO-14	1	FBO 60336	FBO 60339	FBO 60342
	5	FBO 60337	FBO 60340	FBO 60343
	10	FBO 60356	FBO 60357	FBO 60358
	25	FBO 60338	FBO 60341	FBO 60344

Parker Worldwide

Europe, Middle East, Africa

AE – United Arab Emirates,
Dubai

Tel: +971 4 8127100
parker.me@parker.com

AT – Austria, Wiener Neustadt

Tel: +43 (0)2622 23501-0
parker.austria@parker.com

AT – Eastern Europe, Wiener
Neustadt

Tel: +43 (0)2622 23501 900
parker.easturope@parker.com

AZ – Azerbaijan, Baku

Tel: +994 50 2233 458
parker.azerbaijan@parker.com

BE/LU – Belgium, Nivelles

Tel: +32 (0)67 280 900
parker.belgium@parker.com

BG – Bulgaria, Sofia

Tel: +359 2 980 1344
parker.bulgaria@parker.com

BY – Belarus, Minsk

Tel: +375 17 209 9399
parker.belarus@parker.com

CH – Switzerland, Etoy

Tel: +41 (0)21 821 87 00
parker.switzerland@parker.com

CZ – Czech Republic, Klecany

Tel: +420 284 083 111
parker.czechrepublic@parker.com

DE – Germany, Kaarst

Tel: +49 (0)2131 4016 0
parker.germany@parker.com

DK – Denmark, Ballerup

Tel: +45 43 56 04 00
parker.denmark@parker.com

ES – Spain, Madrid

Tel: +34 902 330 001
parker.spain@parker.com

FI – Finland, Vantaa

Tel: +358 (0)20 753 2500
parker.finland@parker.com

FR – France, Contamine s/Arve

Tel: +33 (0)4 50 25 80 25
parker.france@parker.com

GR – Greece, Athens

Tel: +30 210 933 6450
parker.greece@parker.com

HU – Hungary, Budaörs

Tel: +36 23 885 470
parker.hungary@parker.com

IE – Ireland, Dublin

Tel: +353 (0)1 466 6370
parker.ireland@parker.com

IT – Italy, Corsico (MI)

Tel: +39 02 45 19 21
parker.italy@parker.com

KZ – Kazakhstan, Almaty

Tel: +7 7273 561 000
parker.easturope@parker.com

NL – The Netherlands, Oldenzaal

Tel: +31 (0)541 585 000
parker.nl@parker.com

NO – Norway, Asker

Tel: +47 66 75 34 00
parker.norway@parker.com

PL – Poland, Warsaw

Tel: +48 (0)22 573 24 00
parker.poland@parker.com

PT – Portugal, Leca da Palmeira

Tel: +351 22 999 7360
parker.portugal@parker.com

RO – Romania, Bucharest

Tel: +40 21 252 1382
parker.romania@parker.com

RU – Russia, Moscow

Tel: +7 495 645-2156
parker.russia@parker.com

SE – Sweden, Spånga

Tel: +46 (0)8 59 79 50 00
parker.sweden@parker.com

SK – Slovakia, Banská Bystrica

Tel: +421 484 162 252
parker.slovakia@parker.com

SL – Slovenia, Novo Mesto

Tel: +386 7 337 6650
parker.slovenia@parker.com

TR – Turkey, Istanbul

Tel: +90 216 4997081
parker.turkey@parker.com

UA – Ukraine, Kiev

Tel: +380 44 494 2731
parker.ukraine@parker.com

UK – United Kingdom, Warwick

Tel: +44 (0)1926 317 878
parker.uk@parker.com

ZA – South Africa, Kempton Park

Tel: +27 (0)11 961 0700
parker.southafrica@parker.com

North America

CA – Canada, Milton, Ontario

Tel: +1 905 693 3000

US – USA, Cleveland

Tel: +1 216 896 3000

Asia Pacific

AU – Australia, Castle Hill

Tel: +61 (0)2-9634 7777

CN – China, Shanghai

Tel: +86 21 2899 5000

HK – Hong Kong

Tel: +852 2428 8008

IN – India, Mumbai

Tel: +91 22 6513 7081-85

JP – Japan, Tokyo

Tel: +81 (0)3 6408 3901

KR – South Korea, Seoul

Tel: +82 2 559 0400

MY – Malaysia, Shah Alam

Tel: +60 3 7849 0800

NZ – New Zealand, Mt Wellington

Tel: +64 9 574 1744

SG – Singapore

Tel: +65 6887 6300

TH – Thailand, Bangkok

Tel: +662 186 7000-99

TW – Taiwan, Taipei

Tel: +886 2 2298 8987

South America

AR – Argentina, Buenos Aires

Tel: +54 3327 44 4129

BR – Brazil, Sao Jose dos Campos

Tel: +55 800 727 5374

CL – Chile, Santiago

Tel: +56 2 623 1216

MX – Mexico, Toluca

Tel: +52 72 2275 4200

European Product Information Centre

Free phone: 00 800 27 27 5374

(from AT, BE, CH, CZ, DE, DK, EE, ES, FI,
FR, IE, IL, IS, IT, LU, MT, NL, NO, PL, PT, RU,
SE, SK, UK, ZA)



Parker Hannifin Manufacturing Finland Oy

Hydraulic Filter Division Europe
Salmentie 260

FI-31700 Urjala As., Finland

Tel: +358 (0)20 753 2500

Fax: +358 (0)20 753 2501

e-mail: filtration.finland@parker.com

Authorised Distributor



t: +44 1264 860 186

e: spares@simplexturbulo.com

Simplex-Turbulo is part of the **SLX** GROUP

